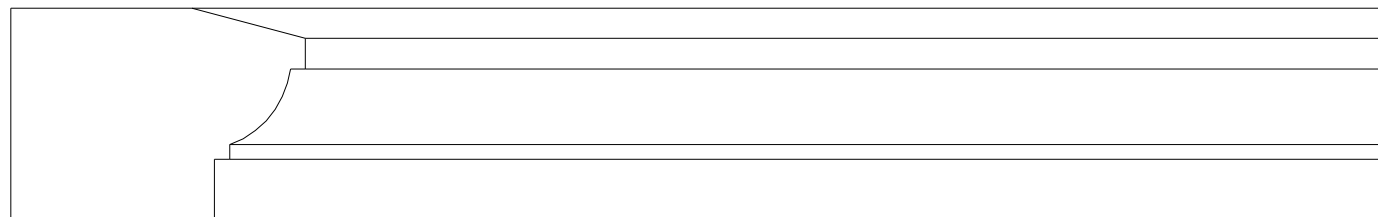
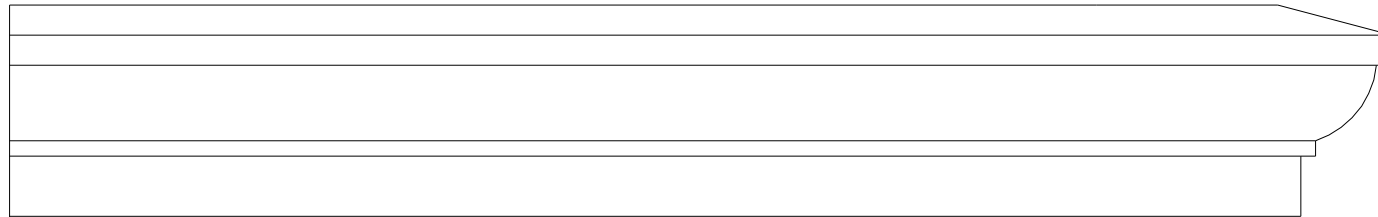
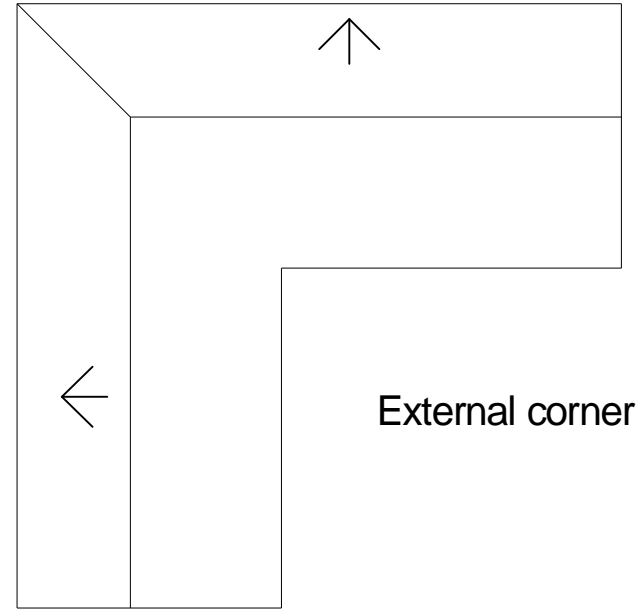
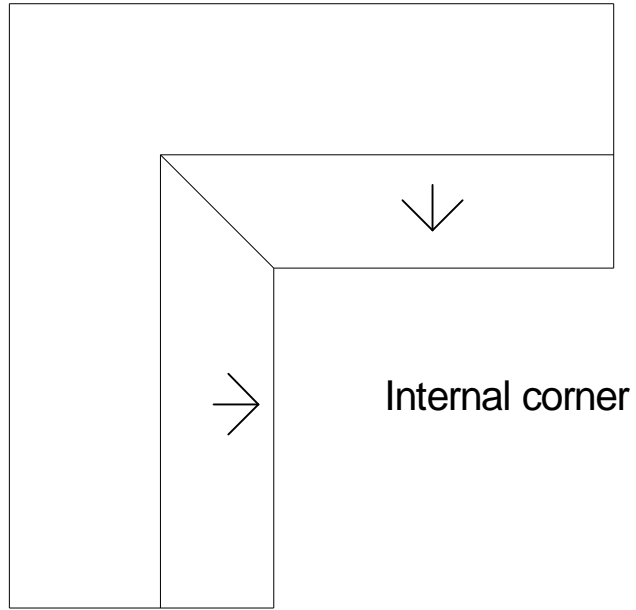
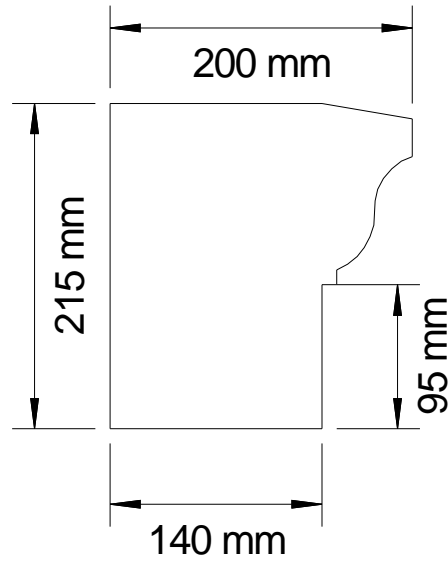


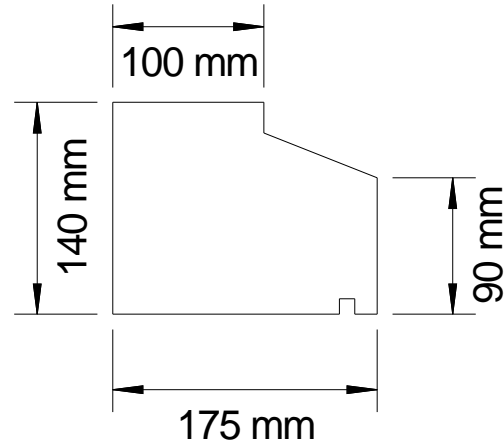
# String Course internal and external corners



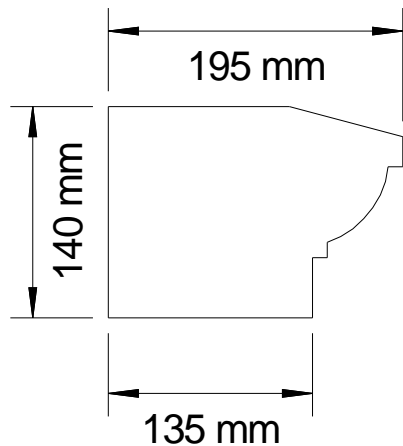
# String Course



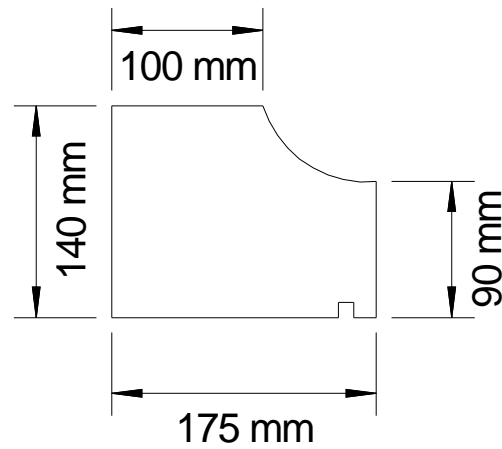
215 Decorative



Cill-line



140 Decorative



Stool-line

