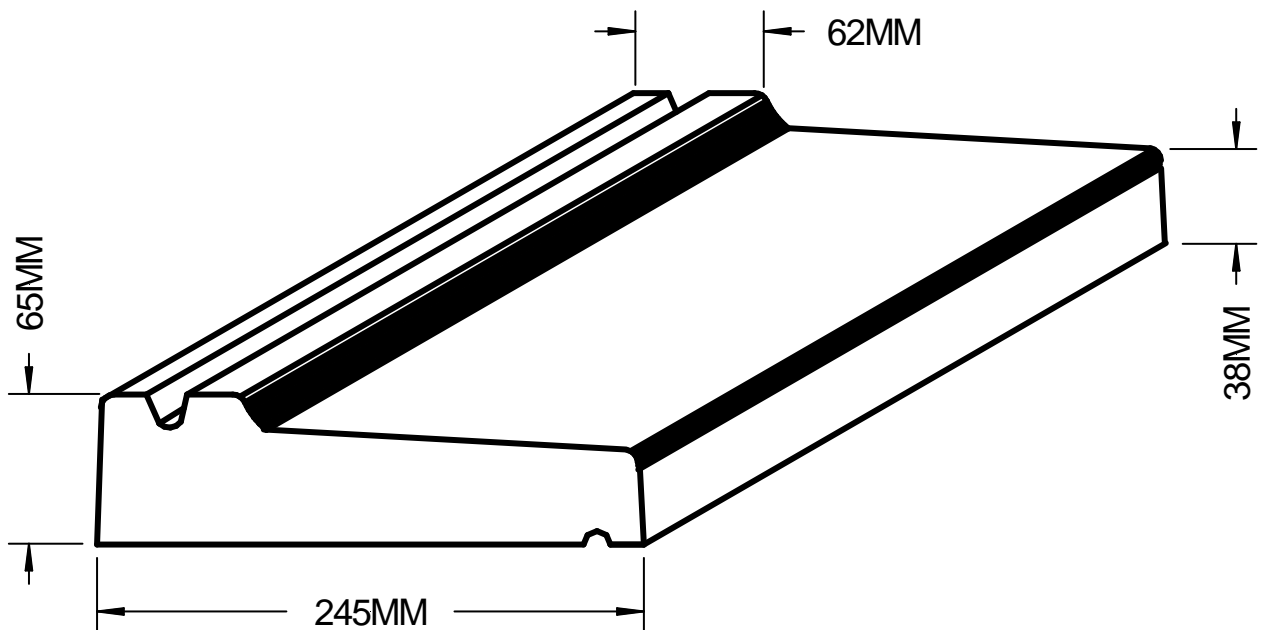


**JORDAN CONCRETE LTD**

10 SHEEPWALK ROAD, LISBURN, CO. ANTRIM, BT28 3RD

E-MAIL : INFO@JORDANCONCRETE.CO.UK

PHONE 02892 648648 FAX 02892 648775



**PRODUCT CODE 201**

**ITEM DESCRIPTION : STANDARD CILL**

**STOCKED SIZES 600MM-2550MM IN 150MM STEPS**

**NON STOCK SIZES CAN BE MADE**

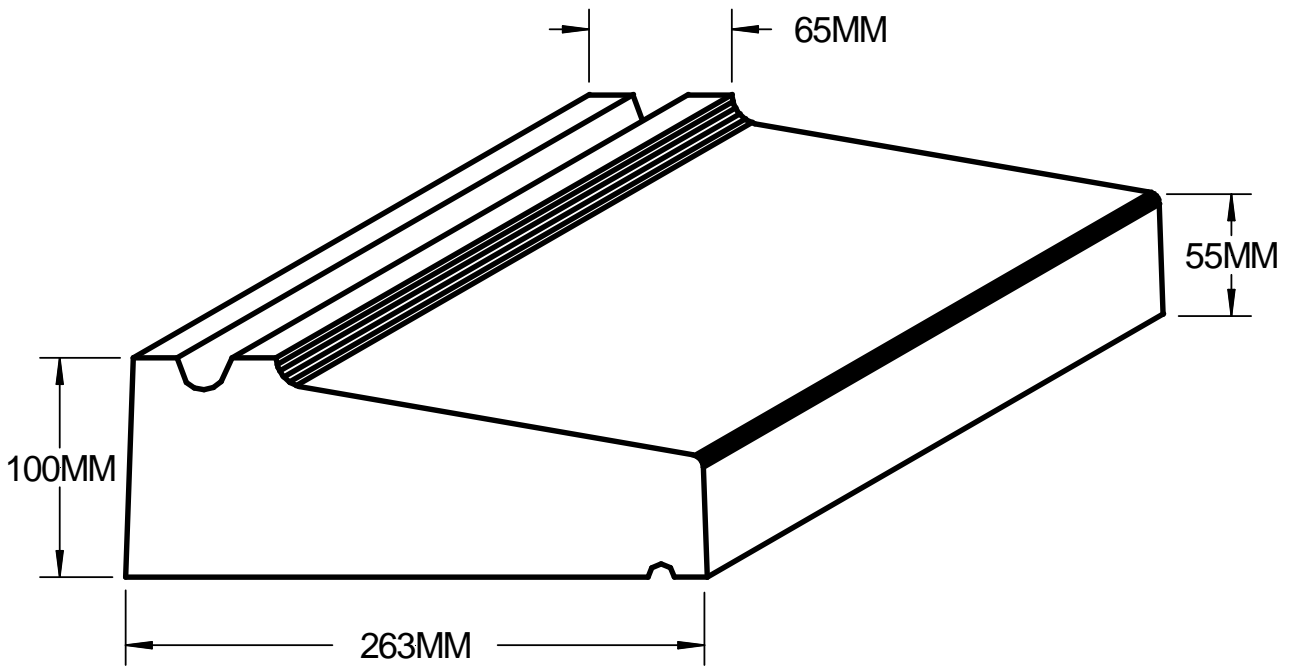
**WEIGHT APPROX 30KG/M**

**JORDAN CONCRETE LTD**

10 SHEEPWALK ROAD, LISBURN, CO. ANTRIM, BT28 3RD

E-MAIL : INFO@JORDANCONCRETE.CO.UK

PHONE 02892 648648 FAX 02892 648775



**PRODUCT CODE 202**

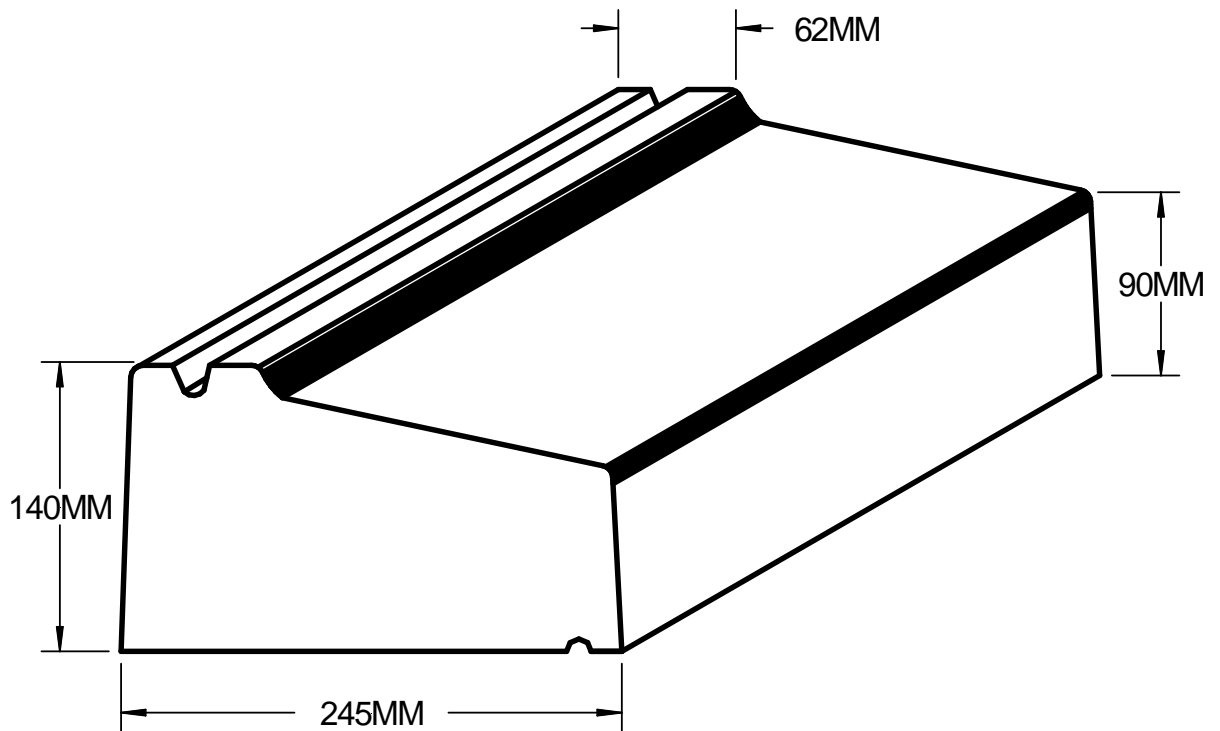
**ITEM DESCRIPTION : 100MM/55MM CILL**

**NON STOCK**

**CAN BE MADE UP TO 2400MM LONG**

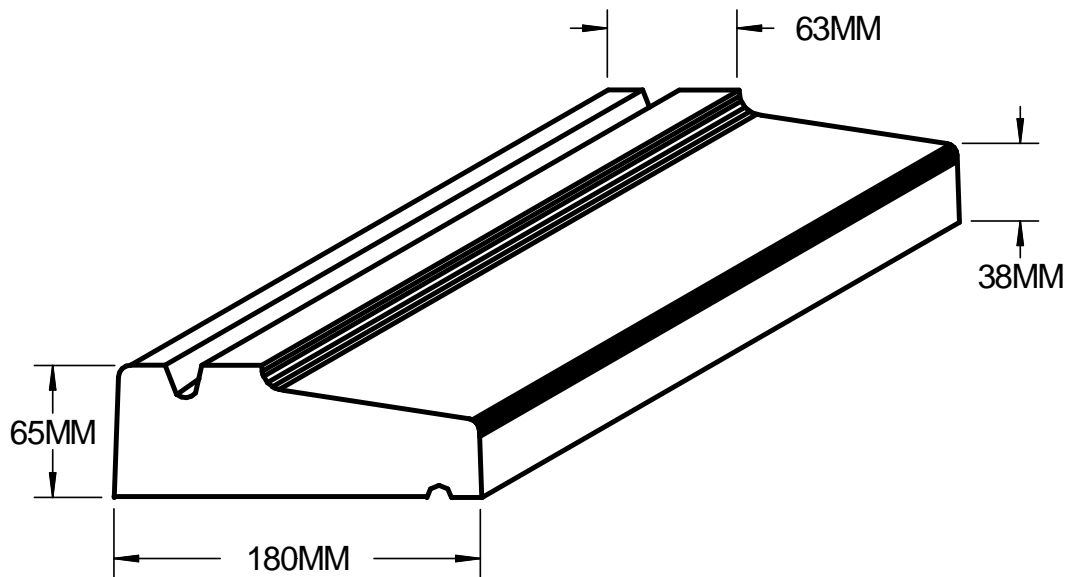
**WEIGHT APPROX 49KG/M**

JORDAN CONCRETE LTD  
10 SHEEPWALK ROAD, LISBURN, CO. ANTRIM, BT28 3RD  
E-MAIL : INFO@JORDANCONCRETE.CO.UK  
PHONE 02892 648648 FAX 02892 648775



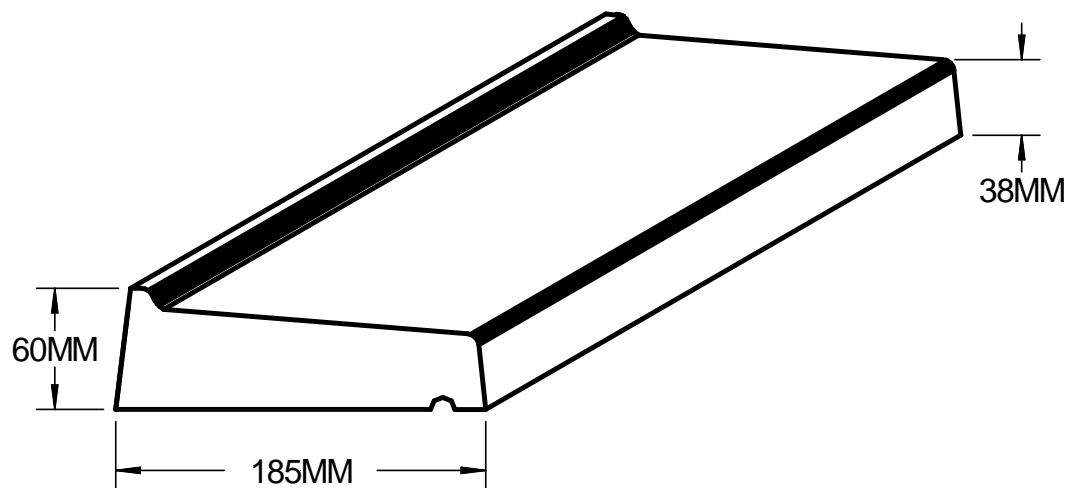
**PRODUCT CODE 203**  
**ITEM DESCRIPTION : 90MM FRONT CILL**  
**STOCKED SIZES 600MM-3000MM IN 150MM STEPS**  
**NON STOCK SIZES CAN BE MADE**  
**WEIGHT APPROX 67KG/M**

JORDAN CONCRETE LTD  
10 SHEEPWALK ROAD, LISBURN, CO. ANTRIM, BT28 3RD  
E-MAIL : INFO@JORDANCONCRETE.CO.UK  
PHONE 02892 648648 FAX 02892 648775



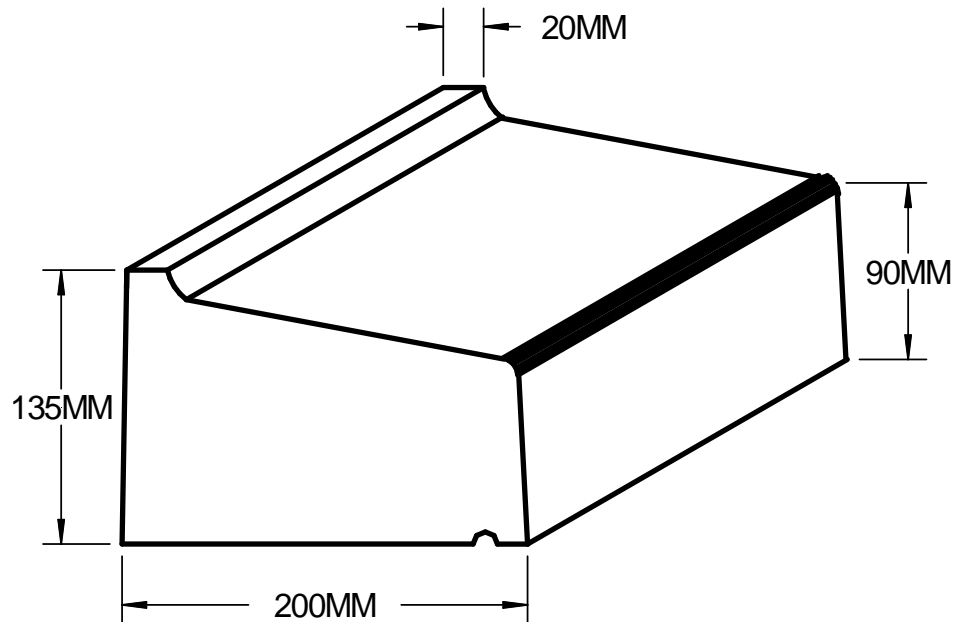
**PRODUCT CODE 204**  
**ITEM DESCRIPTION : GARAGE CILL**  
**STOCKED SIZES 600MM-2100MM IN 150MM STEPS**  
**WEIGHT APPROX 23KG/M**

JORDAN CONCRETE LTD  
10 SHEEPWALK ROAD, LISBURN, CO. ANTRIM, BT28 3RD  
E-MAIL : INFO@JORDANCONCRETE.CO.UK  
PHONE 02892 648648 FAX 02892 648775



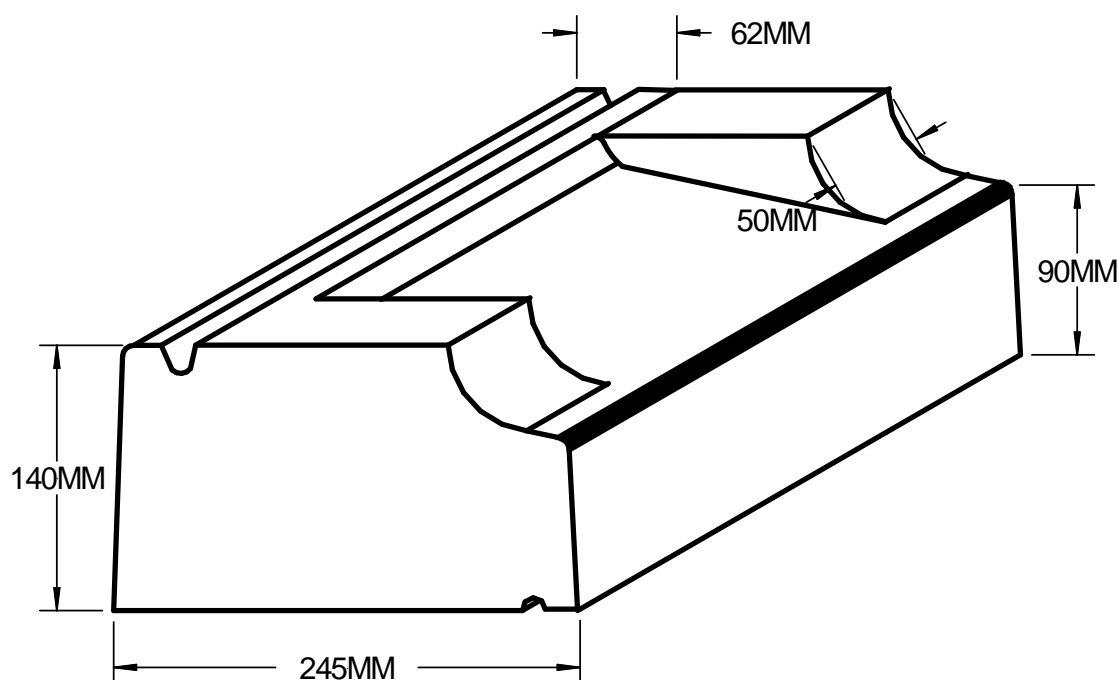
**PRODUCT CODE 205**  
**ITEM DESCRIPTION : TIMBERFRAME CILL**  
**STOCKED SIZES 600MM-2100MM IN 150MM STEPS**  
**WEIGHT APPROX 19KG/M**

JORDAN CONCRETE LTD  
10 SHEEPWALK ROAD, LISBURN, CO. ANTRIM, BT28 3RD  
E-MAIL : INFO@JORDANCONCRETE.CO.UK  
PHONE 02892 648648 FAX 02892 648775



**PRODUCT CODE 205D**  
**ITEM DESCRIPTION : HEAVY TIMBERFRAME CILL**  
**NON STOCK**  
**CAN BE MADE UP TO 2850MM LONG**  
**WEIGHT APPROX 51KG/M**

JORDAN CONCRETE LTD  
10 SHEEPWALK ROAD, LISBURN, CO. ANTRIM, BT28 3RD  
E-MAIL : INFO@JORDANCONCRETE.CO.UK  
PHONE 02892 648648 FAX 02892 648775

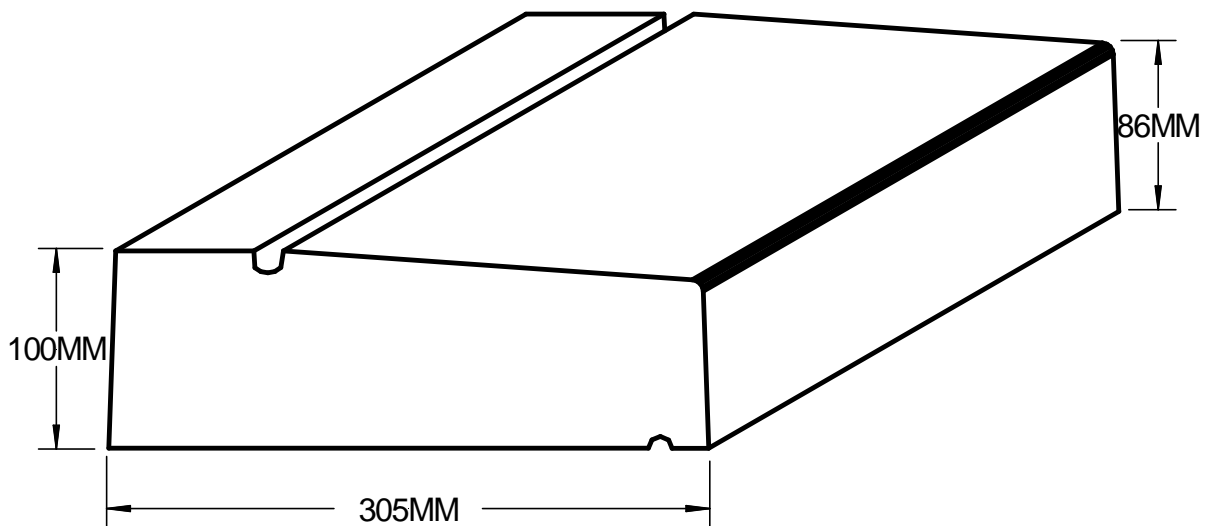


**PRODUCT CODE 206**  
**ITEM DESCRIPTION : 2 COURSE STOOLED CILL ( 50MM STOOL )**  
**WEIGHT APPROX 68KG/M**

**SIZES STOCKED**

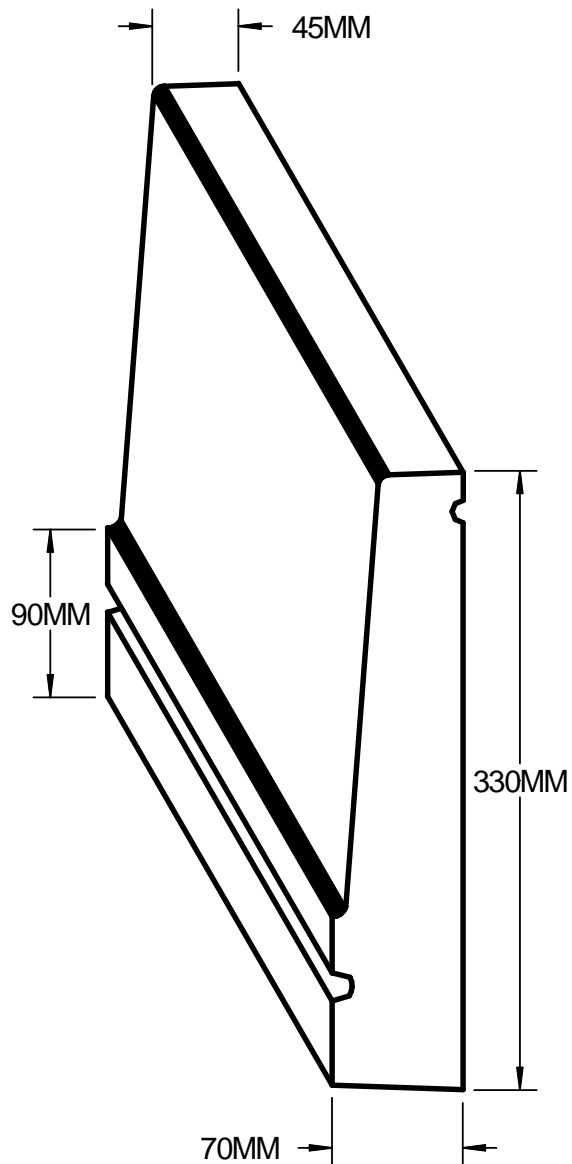
450MM	1460MM
560MM	1570MM
670MM	1685MM
730MM	1795MM
785MM	1870MM
820MM	1910MM
898MM	2025MM
970MM	2135MM
1010MM	2240MM
1120MM	2370MM
1235MM	2470MM
1270MM	2585MM
1350MM	2790MM

JORDAN CONCRETE LTD  
10 SHEEPWALK ROAD, LISBURN, CO. ANTRIM, BT28 3RD  
E-MAIL : INFO@JORDANCONCRETE.CO.UK  
PHONE 02892 648648 FAX 02892 648775



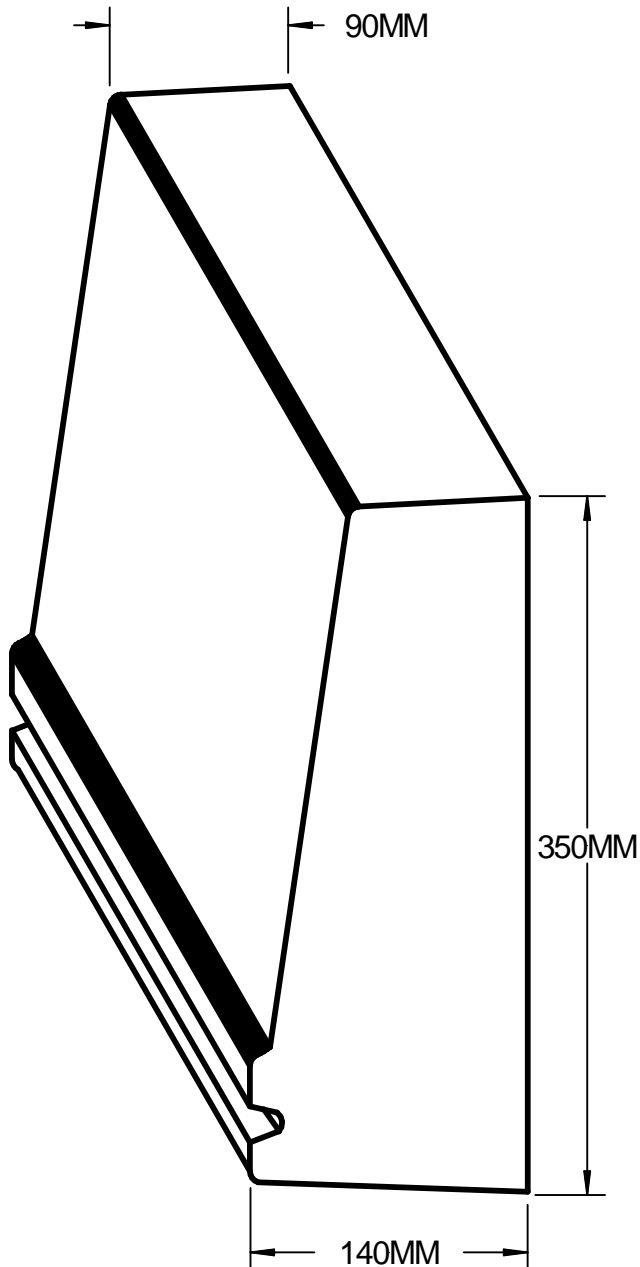
**PRODUCT CODE 211**  
**ITEM DESCRIPTION : RE-HAB CILL**  
**NON STOCK**  
**CAN BE MADE UP TO 1800MM**  
**WEIGHT APPROX 68KG/M**

JORDAN CONCRETE LTD  
10 SHEEPWALK ROAD, LISBURN, CO. ANTRIM, BT28 3RD  
E-MAIL : INFO@JORDANCONCRETE.CO.UK  
PHONE 02892 648648 FAX 02892 648775



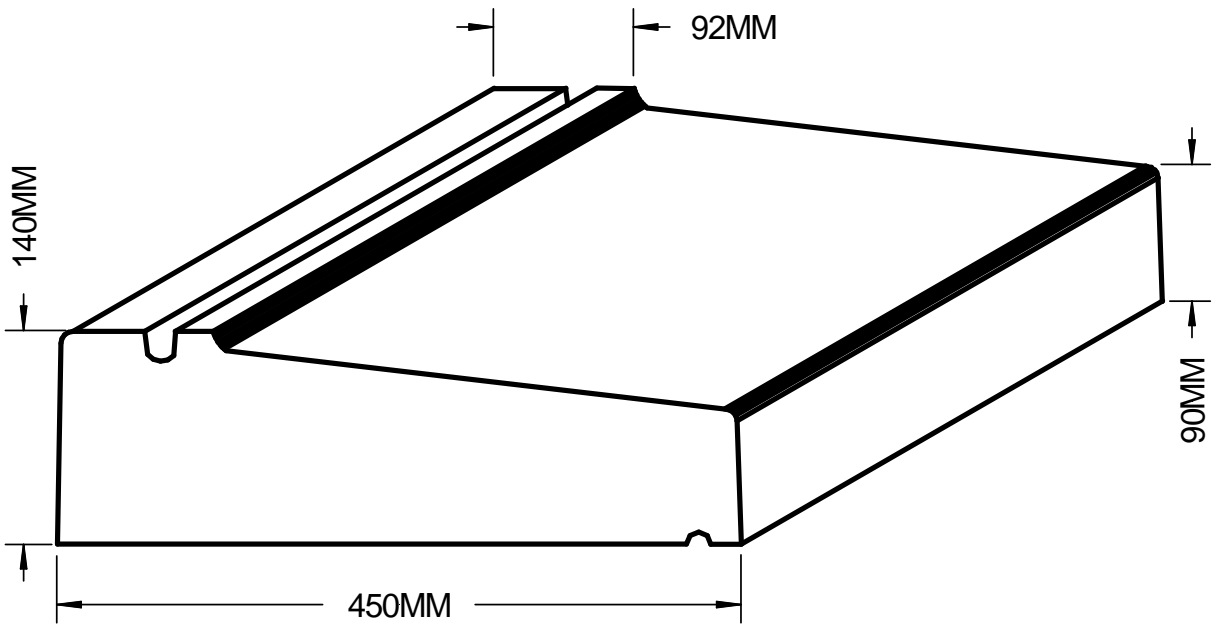
**PRODUCT CODE 212**  
**ITEM DESCRIPTION : 330MM WIDE STANDARD CILL**  
**NON STOCK**  
**CAN BE MADE UP TO 2000MM**  
**WEIGHT APPROX 46KG/M**

JORDAN CONCRETE LTD  
10 SHEEPWALK ROAD, LISBURN, CO. ANTRIM, BT28 3RD  
E-MAIL : INFO@JORDANCONCRETE.CO.UK  
PHONE 02892 648648 FAX 02892 648775



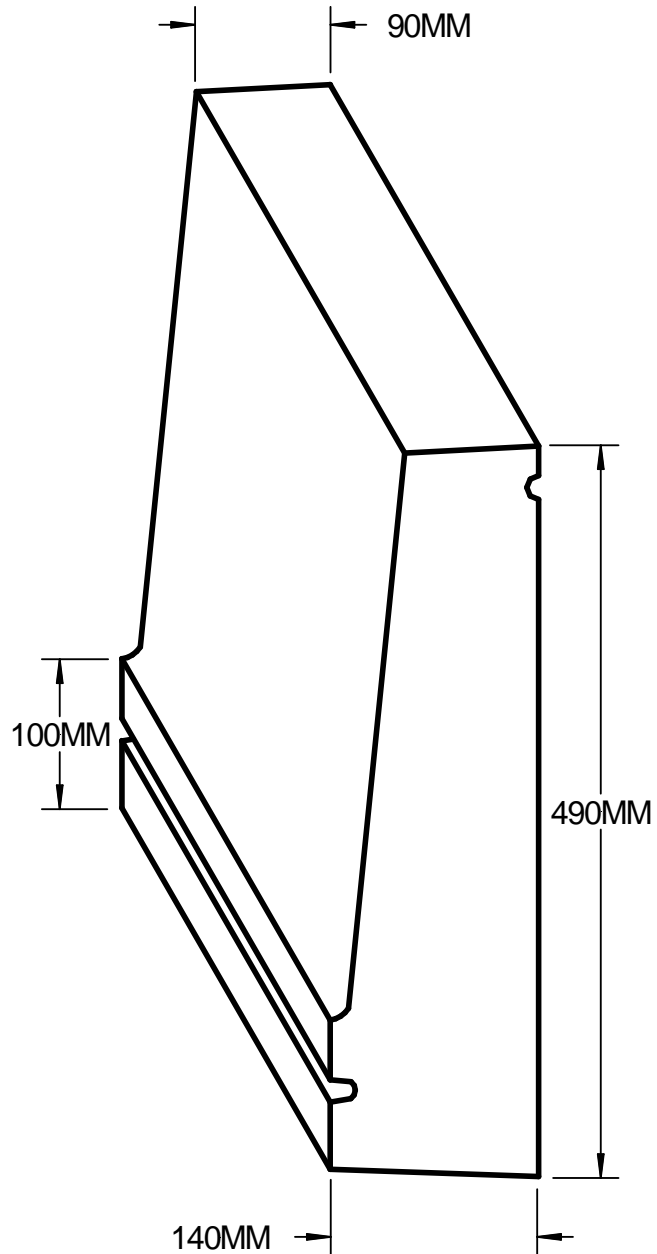
**PRODUCT CODE 213NB**  
**ITEM DESCRIPTION : 350MM WIDE 90MM FRONT NARROW BACK CILL**  
**NON STOCK**  
**CAN BE MADE UP TO 2600MM**  
**WEIGHT APPROX 94KG/M**

JORDAN CONCRETE LTD  
10 SHEEPWALK ROAD, LISBURN, CO. ANTRIM, BT28 3RD  
E-MAIL : INFO@JORDANCONCRETE.CO.UK  
PHONE 02892 648648 FAX 02892 648775



**PRODUCT CODE 228**  
**ITEM DESCRIPTION : 450MM WIDE 90MM FRONT CILL**  
**NON STOCK**  
**CAN BE MADE UP TO 2500MM**  
**WEIGHT APPROX 124KG/M**

JORDAN CONCRETE LTD  
10 SHEEPWALK ROAD, LISBURN, CO. ANTRIM, BT28 3RD  
E-MAIL : INFO@JORDANCONCRETE.CO.UK  
PHONE 02892 648648 FAX 02892 648775



**PRODUCT CODE 229**  
**ITEM DESCRIPTION : 490MM WIDE 90MM FRONT CILL**  
**NON STOCK**  
**CAN BE MADE UP TO 2000MM**  
**WEIGHT APPROX 135KG/M**

